

## Highlights

- Wide temperature range from 300°C to 3000°C
- Superior optical resolution up to 300:1
- Spot sizes down to 0,6 mm
- Variable focus from 0,3 m to 2,2 m
- Fast exposure time down to 1 ms
- Real time video monitoring and snapshot recording capability
- Through-the-lens sighting with video or laser aiming
- Digital RS485 communications (networkable)
- Real time ambient background radiation compensation
- Simultaneous analogue and digital outputs
- Programmable relay output
- Ambient temperatures to 315°C with ThermoJacket™
- Compact, rugged design, IP65 rated
- DataTemp® Multidrop software for remote configuration and monitoring

## Electrical Specifications

<b>Outputs</b>	
mA	0/4-20 mA
Relay	48 V, 300 mA, response time < 2 ms
RS485	2-wire or 4-wire, networkable to 32 sensors
Video	analog, NTSC, 510x492 pixel, FOV 8°
<b>Inputs</b>	Emissivity setting, background radiation compensation, trigger, laser on/off (software enabled)
<b>Power Supply</b>	24 VDC ±20%, 500 mA

## General Specifications

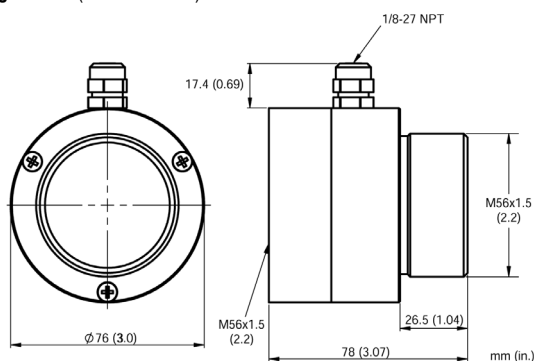
<b>Environmental Rating</b>	IP65 (IEC529)
<b>Ambient Temperature</b>	
without cooling	5 to 65°C (with video: max. 50°C)
with air cooling	up to 120°C
with water cooling	up to 175°C
with ThermoJacket	up to 315°C
<b>Storage Temperature</b>	-20 to 70°C
<b>Relative Humidity</b>	10 to 95%, non-condensing
<b>Shock</b>	IEC 68-2-27
<b>Vibration</b>	IEC 68-2-6
<b>Weight</b>	700 g

## Options

Options must be specified at time of order.

- Laser sighting (...L) or Video sighting (...V)
- Variable focus (...VF1)
- Water-Cooled Housing, incl. Air Purge Collar (...W)
- ISO Calibration Certificate, based on DKD certified probes (XXXMMCERT)

### Air Purge Collar (XXXMMACAP)



# MM 1M, 2M

## Datasheet



## Measurement Specifications

<b>Temperature Range</b>	
2ML	300 to 1100°C
2MH	450 to 2250°C
1ML	450 to 1740°C
1MH	650 to 3000°C
<b>Spectral Response</b>	
2M	1.6 $\mu$ m
1M	1 $\mu$ m
<b>System Accuracy<sup>1</sup></b>	
2ML	± (0.3% of reading + 2°C)
2MH, 1ML, 1MH	± (0.3% of reading + 1°C)
<b>Repeatability<sup>2</sup></b>	± (0.1% of reading + 1°C)
<b>Temperature Resolution</b>	
2ML, 1ML	0.1 K
2MH, 1MH	0.2 K
<b>Exposure Time<sup>4</sup> (95%)</b>	1 ms
<b>Emissivity</b>	0,100 to 1,150 in 0,001 increments
<b>Signal Processing</b>	Peak hold, valley hold, averaging, advanced peak hold, advanced valley hold, ambient background temperature compensation

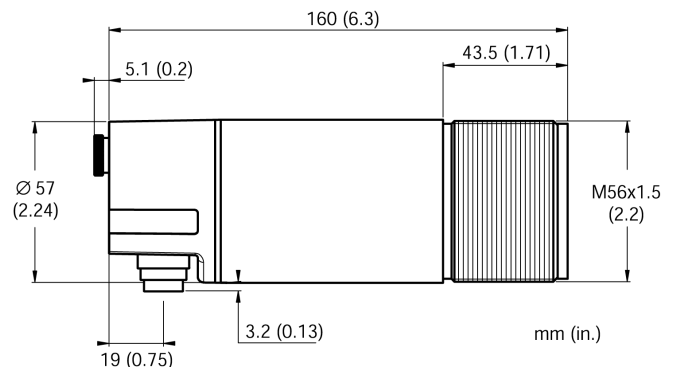
<sup>1</sup> at 23°C ±5°C, emissivity = 1.0, and time response 1.0 s

<sup>2</sup> whichever is greater

<sup>3</sup> at 23°C ±5°C

<sup>4</sup> response time (95%): 2 ms

## Dimensions



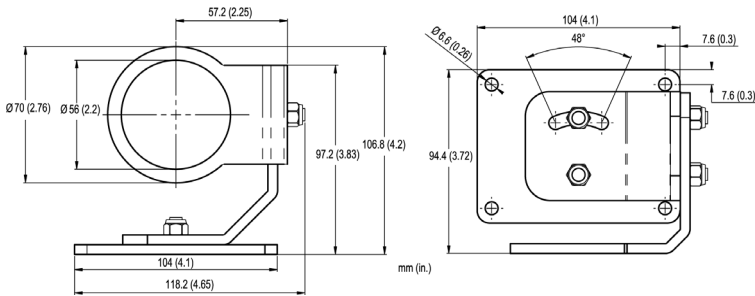
## Accessories

The models include through-the-lens sighting, mounting nut (stainless steel), fixed bracket (stainless steel), an operator's manual and DataTemp Multidrop Software.

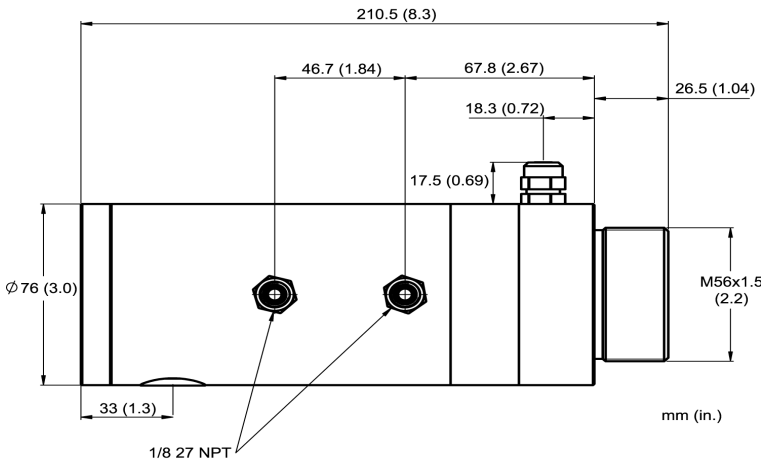
Additional accessories are available:

- Sight Tube made from stainless steel up to 800°C (XXXTST12)
- Sight Tube made from ceramic up to 1500°C (XXXSTC12)
- Pipe Thread Adapter made from stainless steel (XXXMMACPA)
- Protective Window for 1M, 2M (XXXMMACTWGP)
- RS232/485 interface converter with 220 VAC / 9 VDC adapter (XXX485CVT2)
- RS232/USB Converter (XXXUSBCV)
- Industrial Power Supply 110 / 220 VAC to 24 VDC, 1,1 A (XXX2CDCPSS)
- Low Temp Cable (XXX2CLTCB...)
- High Temp Cable (XXX2CCB...)
- Terminal Block (XXXMATB)
- Terminal Block including 24 VDC power supply (110 / 230 VAC input) and IP 65 rated housing (RAYMAPB)
- ThermoJacket enclosure for ambient temperatures to 315°C (RAYTXXTJ4), see also ThermoJacket datasheet

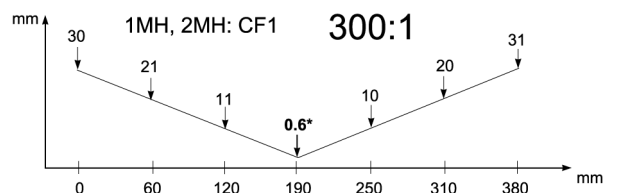
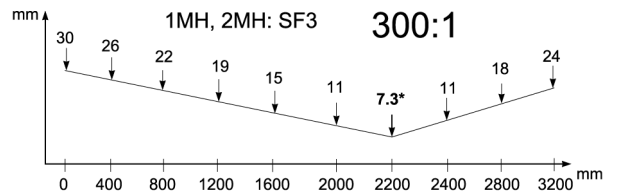
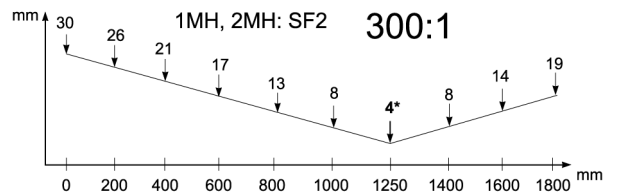
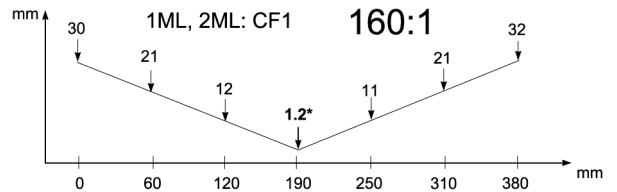
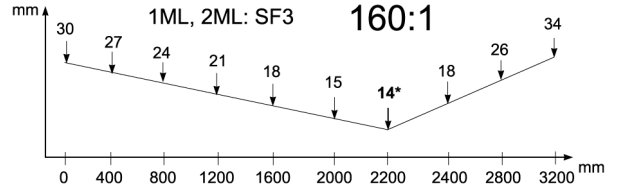
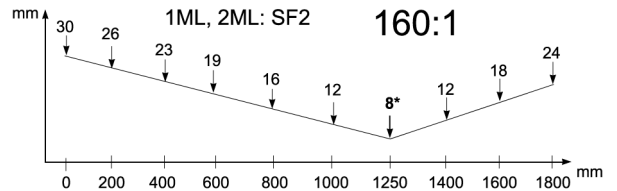
### Adjustable Bracket (XXXMMACAB)



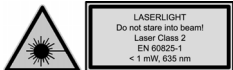
### Air/Water-Cooled Housing (...W)



## Optical Specifications



\* D:S for the focus point  
90% energy



[www.raytek.com](http://www.raytek.com)  
for up-to-the-minute features

58202, Rev. B1, 01/2006— Raytek, the Raytek Logo, Thermalert and DataTemp are registered trademarks of Raytek Corporation. Specifications subject to change without notice. Raytek is ISO 9001 certified.

**Worldwide Headquarters**  
Raytek Corporation  
Santa Cruz, CA USA  
Tel: +1 831 458 – 1110  
+1 800 227 – 8074  
Fax: +1 831 458 – 1239  
[automation@raytek.com](mailto:automation@raytek.com)

**United Kingdom**  
Tel: +44 1908 630 800  
Fax: +44 1908 630 900  
[ukinfo@raytek.com](mailto:ukinfo@raytek.com)

**European Headquarters**  
Raytek GmbH  
Berlin, Germany  
Tel: +49 30 47 80 08 - 0  
Sales: - 400  
Fax: +49 30 4 71 02 51  
[raytek@raytek.de](mailto:raytek@raytek.de)

**France**  
Tel: 0800 888 244  
[info@raytek.fr](mailto:info@raytek.fr)



**Raytek®**